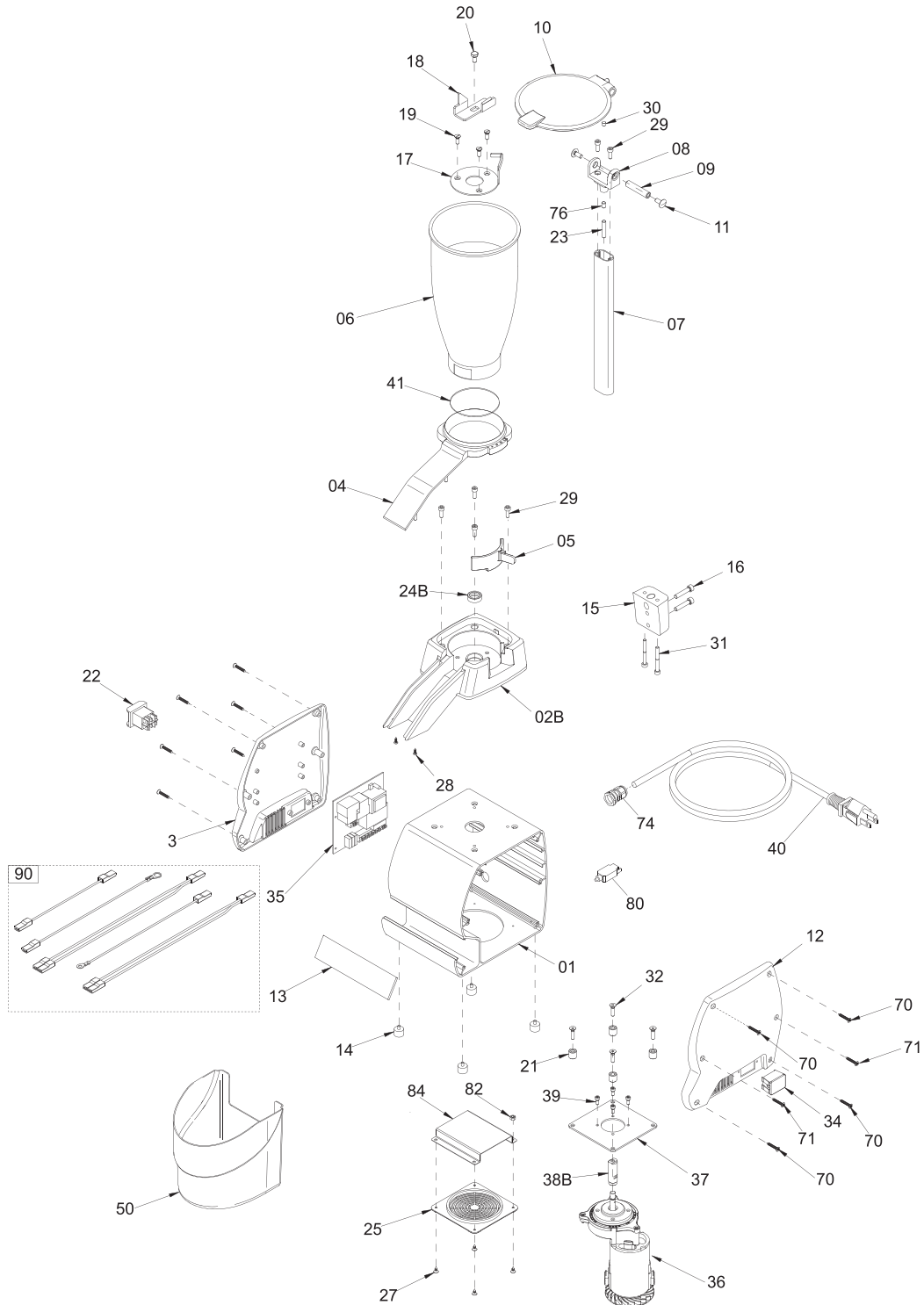


Parts Breakdown

Model IC-IT-0003 47084



Parts Breakdown

Model IC-IT-0003 47084

Item No.	Description	Position	Item No.	Description	Position	Item No.	Description	Position
AH126	Ice Crusher Profile for 47084	01	AH133	Crushing Plate for 47084	17	AH135	Engine Support Plate Rompigh. for 47084	37
AH141	Ice Breaker Mouth Y14 for 47084	02B	AH134	Blades for 47084	18	AH128	Crank Shaft Rompigh Motor. Y14 for 47084	38
AH170	Right / Left White Cheeks Assembly for 47084	03+12 BN	AH163	INOX Screw M5x14 for 47084	19	AH158	Stainless Steel Cross Screw M4x10 for 47084	39
AH168	Assembly Black Right / Left Cheek for 47084	03+12 NR	AH159	Screw TE M6 for 47084	20	67018	US Power Cord for 47084	40
AH169	Right / Left Red Cheeks Assembly for 47084	03+12 RS	AH130	Dist. Engine Romp. for 47084	21	AH147	Ring OR 2300 Bicch. for 47084	41
AH140	Rompigh Mouth Cover for 47084	04	AH151	Comelux Switch 401.1 for 47084	22	AH144	Collecting Tray, Black for 47084	50
AH142	Adjustment Lever Thickness Rompigh. for 47084	05	AH153	Microint. ETL for 47084	23	AH165	Screw Aut.TS Cross INOX 3.9x19 for 47084	70
AH131	Clean Ice Crusher Glass for 47084	06	AH146	Seal Ring Y14 14x22x7 Rompigh. for 47084	24B	AH166	Aut.TS Cross Screw INOX 3.9x25 for 47084	71
AH127	Extruded Profile Supp. Cop. for 47084	07	AH137	Fan Cover for 47084	25	AH150	Cabl.Rompigh. 110V for 47084	72
AH139	Cover Support Rompigh. for 47084	08	AH167	Aut.Screw TS Cross INOX 3.9x9.5 for 47084	27	AH155	Cable Guide Mod.PG11 for 47084	74
AH129	Pin, Cover, Rompigh. for 47084	09	AH160	Screw TE Recess. IX M5x14 for 47084	29	AH145	Distance Microint. Romp. H.2 for 47084	76
AH138	Ice Breaker Cover for 47084	10	AH152	Square Glass Cover Magnet for 47084	30	AH154	Prot. Thermal UL 2.5A for 47084	80
60081	Screw Poeliers M6x10 for 47084	11	AH161	Screw TCEI M5x45 for 47084	31	AH157	M4 Flanged Stainless Steel Nut for 47084	82
AH132	Module Plate 1 for 47084	13	AH164	Counter Screw. Cross IX M5x20 for 47084	32	AH136	Omega ETL Cap for 47084	84
AH148	Foot 15x10 for 47084	14	AH143	Cap for Side for 47084	34	AH150	Cabl.Rompigh. 110V for 47084	90
AH125	Supp. Cover Profile for 47084	15	AH156	TGSIR13 Card Ice Breaker 115 V. for 47084	35			
AH162	Recessed TE Screw IX M6x30 for 47084	16	AH149	Ice Breaker Motor 110 V. for 47084	36			